



# Figure # 5044F

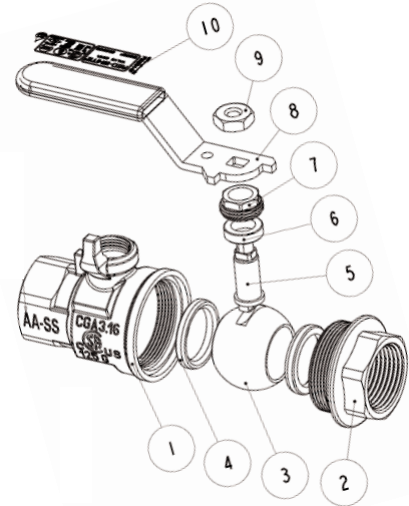
Brass Ball Valve (1/4"-4")

## Product Features

- 150#WSP / 600# WOG
- Forged Brass Body
- Full Port
- Adjustable Packing
- Threaded Ends
- Blowout Proof Stem
- MSS-SP-110
- CSA 1/2, 5 & 125 PSI (1/2"-2")
- CSA 1/2 & 5 PSI (2-1/2"-3")
- NSF 1/4"-2"
- UL Approved 1/4"-2"
- FM Approved 1/2"-2"



Certified to  
ANSI/NSF 61



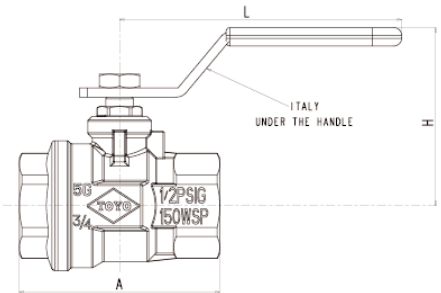
## Pressure/Temperature Ratings

600 PSI from 15F to 160F

150 PSI MAX at 366F

## Materials & Specifications

| Item | Description      | Material            | Specification |
|------|------------------|---------------------|---------------|
| 1    | Body             | Brass               | B283 C37700   |
| 2    | End Piece        | Brass               | B283 C37700   |
| 3    | Ball             | Brass/Chrome Plated | B283 C37700   |
| 4    | Seat             | PTFE                | PTFE          |
| 5    | Stem             | Brass               | B124 C37700   |
| 6    | Packing          | PTFE                | PTFE          |
| 7    | Packing Nut      | Brass               | B124 C37700   |
| 8    | Handle           | Zinc plated steel   | A36 Dacromet  |
| 9    | Handle Nut       | Zinc plated steel   | A36 Dacromet  |
| 10   | I.D. Information | N/A                 | N/A           |



## Dimensions, Weights (inches-lbs.) & Valve Data

| Size      | 1/4  | 3/8  | 1/2  | 3/4  | 1    | 1-1/4 | 1-1/2 | 2    | 2-1/2 | 3     | 4     |
|-----------|------|------|------|------|------|-------|-------|------|-------|-------|-------|
| A         | 1.73 | 1.73 | 2.13 | 2.56 | 2.92 | 3.39  | 3.90  | 4.45 | 6.02  | 6.81  | 7.64  |
| C         | .45  | .45  | .55  | .59  | .71  | .73   | .77   | .81  | 1.18  | 1.22  | 1.32  |
| H         | 1.55 | 1.55 | 2.13 | 2.26 | 2.57 | 2.79  | 3.28  | 3.58 | 4.70  | 5.15  | 5.64  |
| L         | 3.19 | 3.19 | 3.60 | 3.60 | 4.98 | 4.98  | 5.57  | 5.57 | 11.07 | 11.07 | 11.07 |
| P         | .39  | .39  | .59  | .79  | .98  | 1.26  | 1.57  | 1.97 | 2.56  | 3.15  | 3.94  |
| Cv        | 8    | 8    | 15   | 30   | 60   | 110   | 130   | 360  | 450   | 620   | 1200  |
| Wt.- lbs. | .34  | .3   | .56  | .83  | 1.4  | 2.2   | 3.1   | 4.9  | 9.8   | 14.5  | 20.6  |

